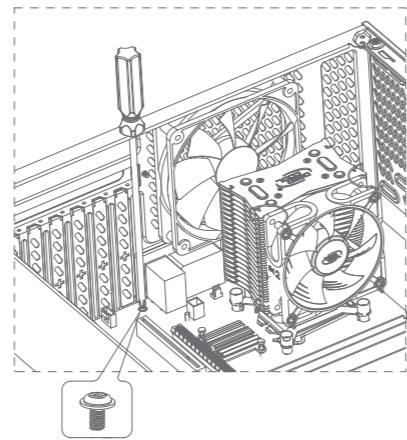
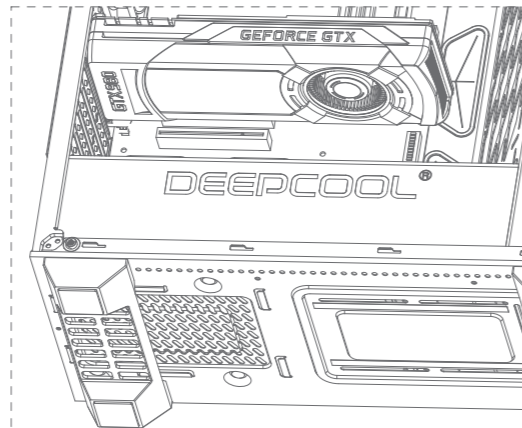


1. Motherboard Installation

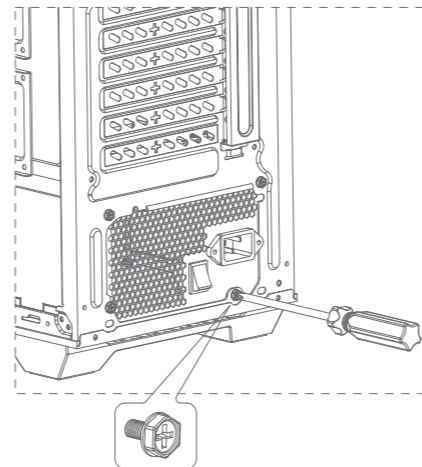
Motherboard Compatible: ATX / MICRO-ATX / MINI-ITX



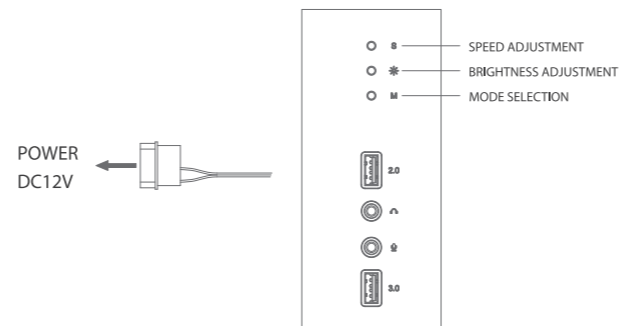
4. PCI card Installation



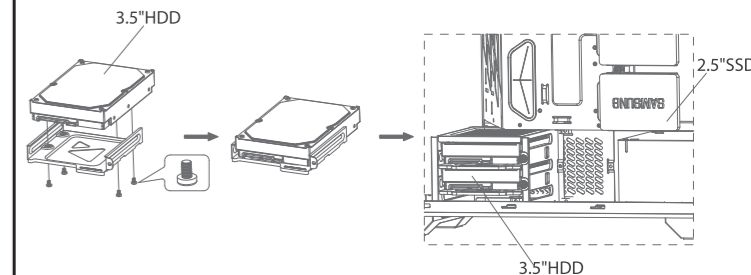
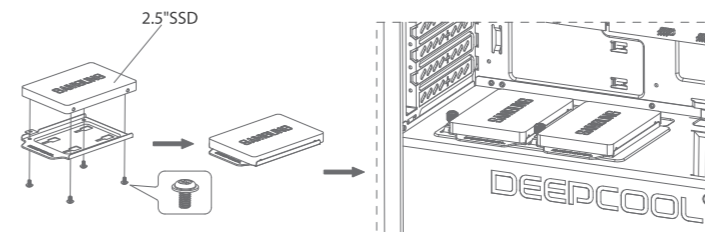
2. Power Supply Installation



5. I/O、Outside Control



3. HDD Installation



6. Cable Connection

	Panel Connector	High Definition Audio (Azalia)	USB 2.0 Connector	USB 3.0 Connector
Motherboard	IDELED+ □ □ PLED+ IDELED- □ □ PLED- Ground □ □ PWR Reset □ □ GND NC □ □ No Pin	MIC2_L □ □ AGND MIC2_R □ □ PRESENSE# HP_R □ □ MIC2_JD Jack_Sense □ □ No Pin HP_L □ □ HP_HD	USB+5V □ □ USB+5V USB_P- □ □ USB_P- USB_P+ □ □ USB_P+ GND □ □ GND No Pin □ □ NC	IntA_P2_D+ □ ID IntA_P2_D- □ IntA_P1_D+ GND □ GND IntA_P2_SSTX+ □ IntA_P1_SSTX+ IntA_P2_SSTX- □ IntA_P1_SSTX- GND □ GND IntA_P2_SSRX+ □ IntA_P1_SSRX+ IntA_P2_SSRX- □ IntA_P1_SSRX- VBUS □ VBUS
	Panel Connector POWER SW □ PWR □ GND RESET SW □ Ground □ Reset	H.D.D LED □ IDELED+ □ IDELED- POW LED- □ PLED- POW LED+ □ PLED+	HD Audio Connector	USB 2.0 Connector
Cable				